



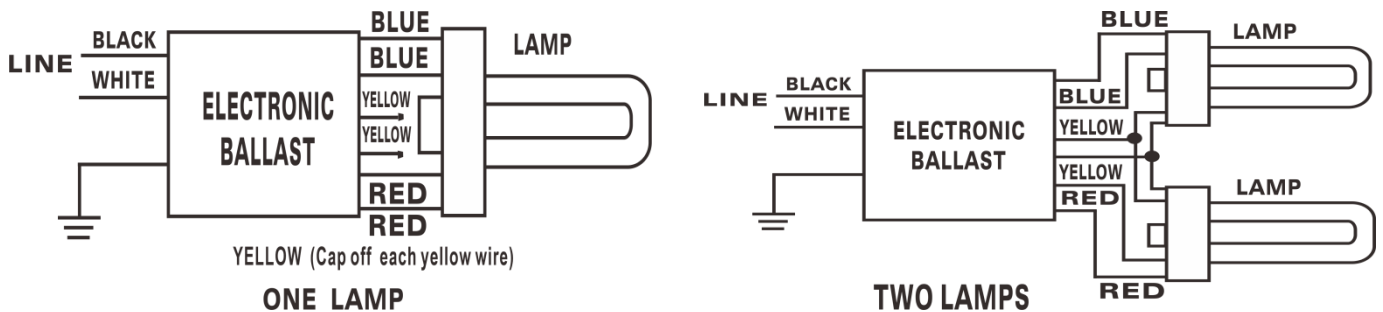
<b>Model Name</b>	CSD-UV42PS
<b>Ballast Type</b>	Electronic
<b>Starting Method</b>	Program Start
<b>Lamp connection</b>	Series
<b>Input Voltage</b>	120-277V
<b>Input Frequency</b>	50/60Hz
<b>Warranty</b>	5 Years $TC \leq 75^{\circ}C$ 3 Years $75^{\circ}C \leq TC \leq 90^{\circ}C$

## Safety & Performance



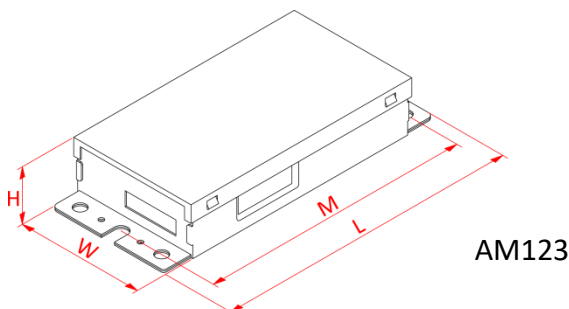
- One or Two lamps
- UL/cUL Listed
- UL Type 1 Outdoor
- FCC part 18 Class A
- Sound Rated Class A
- Class P Thermally Protected
- High Power Factor
- Surge Protected
- Auto Restart
- No PCBs
- Type HL

## Wire Diagram



Maximum Wiring Distance (at full load) is 18AWG/18Feet  
Case must be grounded

## Enclosure



Enclosure	Inch	Cm
Length(L)	6.5	16.5
Width(W)	2.9	7.3
Height(H)	1.18	3
Mounting(M)	5.9	14.9



Electrical Specification with Different Lamps

Lamp Type	No. of Lamps	Input Voltage (V)	Rated Lamp Watts	Start Temp Min. (F/C)	Input Current (Amps)	Input Power (ANSI Watts)	Ballast Factor	THD Max. (%)	Power Factor	Lamp Current Crest Factor Max.	BEF
PLT42W	2	120	42	-22/-30	0.807	88	0.92	10	0.99	1.7	1.05
		230			0.38			20	0.99		
		277			0.36			20	0.99		
	1	120			0.38	45	0.99	15	0.99		2.20
		230			0.2			25	0.97		
		277			0.18			30	0.96		
PLT32W	2	120	32	-22/-30	0.55	66	0.96	10	0.99	1.7	1.45
		230			0.29			20	0.98		
		277			0.24			20	0.98		
	1	120			0.3	35	0.99	20	0.98		2.83
		230			0.16			25	0.97		
		277			0.13			50	0.91		
PLT26W	2	120	26	-22/-30	0.46	56	1.07	10	0.99	1.7	1.91
		230			0.25			20	0.98		
		277			0.21			20	0.98		
	1	120			0.24	28	1	30	0.97		3.57
		230			0.14			30	0.96		
		277			0.13			60	0.88		
PLL40W	2	120	40	-22/-30	0.66	79	0.85	10	0.99	1.7	1.08
		230			0.35			20	0.99		
		277			0.29			20	0.98		
	1	120			0.36	42	0.91	20	0.99		2.17
		230			0.19			20	0.98		
		277			0.17			35	0.95		



Electrical Specification with Different Lamps

Lamp Type	No. of Lamps	Input Voltage (V)	Rated Lamp Watts	Start Temp Min. (F/C)	Input Current (Amps)	Input Power (ANSI Watts)	Ballast Factor	THD Max. (%)	Power Factor	Lamp Current Crest Factor Max.	BEF
PLL39W	2	120	39	-22/-30	0.54	64	0.67	10	0.99	1.7	1.05
		230			0.29			20	0.98		
		277			0.24			20	0.98		
	1	120			0.3	35	0.67	25	0.98		
		230			0.16			25	0.97		
		277			0.14			50	0.92		
PLL36W	2	120	36	-22/-30	0.51	62	0.91	10	0.99	1.7	1.47
		230			0.28			20	0.98		
		277			0.23			20	0.98		
	1	120			0.28	33	0.89	25	0.98		
		230			0.15			25	0.97		
		277			0.13			45	0.92		
PLL55W	1	120	55	-22/-30	0.36	43	0.67	20	0.99	1.7	1.56
		230			0.19			20	0.98		
		277			0.16			35	0.95		
PLL50W	1	120	50	-22/-30	0.39	47	0.88	20	0.99	1.7	1.87
		230			0.21			20	0.98		
		277			0.18			25	0.96		