



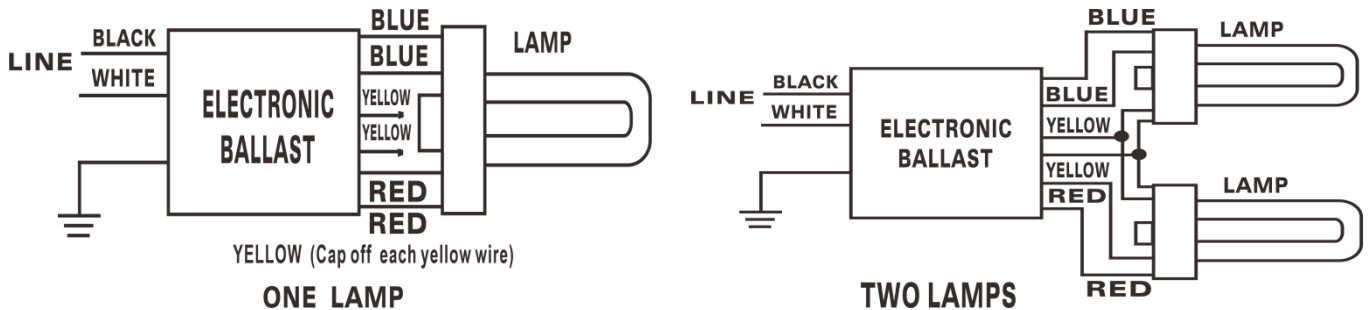
Model Name	CSD-UV42P/BMS
Ballast Type	Electronic
Starting Method	Program Start
Lamp connection	Series
Input Voltage	120-277V
Input Frequency	50/60Hz
Warranty	5 Years $TC \leq 75^{\circ}C$ 3 Years $75^{\circ}C \leq TC \leq 90^{\circ}C$

Safety & Performance



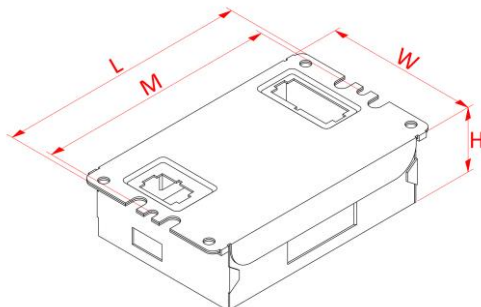
- One or Two lamps
- UL/cUL Listed
- UL Type 1 Outdoor
- FCC part 18 Class A
- Sound Rated Class A
- Class P Thermally Protected
- High Power Factor
- Surge Protected
- Auto Restart
- No PCBs
- Type HL

Wire Diagram



Maximum Wiring Distance (at full load) is 18AWG/18Feet
Case must be grounded

Enclosure



AM54

Enclosure	Inch	Cm
Length(L)	5	12.7
Width(W)	3	7.7
Height(H)	1.34	3.4
Mounting(M)	4.6	11.7



Electrical Specification with Different Lamps

Lamp Type	No. of Lamps	Input Voltage (V)	Rated Lamp Watts	Start Temp Min. (F/C)	Input Current (Amps)	Input Power (ANSI Watts)	Ballast Factor	THD Max. (%)	Power Factor	Lamp Current Crest Factor Max.	BEF
PLT42W	2	120	42	-22/-30	0.807	88	0.92	10	0.99	1.7	1.05
		230			0.38			20	0.99		
		277			0.36			20	0.99		
	1	120			0.38	45	0.99	15	0.99		2.20
		230			0.2			25	0.97		
		277			0.18			30	0.96		
PLT32W	2	120	32	-22/-30	0.55	66	0.96	10	0.99	1.7	1.45
		230			0.29			20	0.98		
		277			0.24			20	0.98		
	1	120			0.3	35	0.99	20	0.98		2.83
		230			0.16			25	0.97		
		277			0.13			50	0.91		
PLT26W	2	120	26	-22/-30	0.46	56	1.07	10	0.99	1.7	1.91
		230			0.25			20	0.98		
		277			0.21			20	0.98		
	1	120			0.24	28	1	30	0.97		3.57
		230			0.14			30	0.96		
		277			0.13			60	0.88		
PLL40W	2	120	40	-22/-30	0.66	79	0.85	10	0.99	1.7	1.08
		230			0.35			20	0.99		
		277			0.29			20	0.98		
	1	120			0.36	42	0.91	20	0.99		2.17
		230			0.19			20	0.98		
		277			0.17			35	0.95		



Electrical Specification with Different Lamps

Lamp Type	No. of Lamps	Input Voltage (V)	Rated Lamp Watts	Start Temp Min. (F/C)	Input Current (Amps)	Input Power (ANSI Watts)	Ballast Factor	THD Max. (%)	Power Factor	Lamp Current Crest Factor Max.	BEF
PLL39W	2	120	39	-22/-30	0.54	64	0.67	10	0.99	1.7	1.05
		230			0.29			20	0.98		
		277			0.24			20	0.98		
	1	120			0.3	35	0.67	25	0.98		
		230			0.16			25	0.97		
		277			0.14			50	0.92		
PLL36W	2	120	36	-22/-30	0.51	62	0.91	10	0.99	1.7	1.47
		230			0.28			20	0.98		
		277			0.23			20	0.98		
	1	120			0.28	33	0.89	25	0.98		
		230			0.15			25	0.97		
		277			0.13			45	0.92		
PLL55W	1	120	55	-22/-30	0.36	43	0.67	20	0.99	1.7	1.56
		230			0.19			20	0.98		
		277			0.16			35	0.95		
PLL50W	1	120	50	-22/-30	0.39	47	0.88	20	0.99	1.7	1.87
		230			0.21			20	0.98		
		277			0.18			25	0.96		