



CFL(PLT/PLC) Modified Rapid Start Ballast



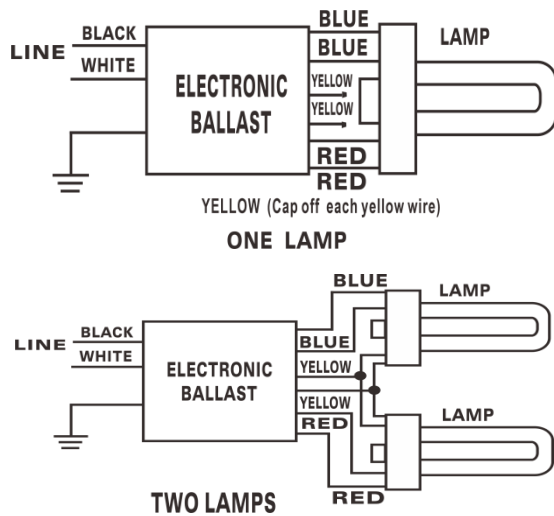
Model Name	CSD-118PNPF
Ballast Type	Electronic
Starting Method	Modified Rapid Start
Lamp connection	Series
Input Voltage	120V
Input Frequency	50/60Hz
Warranty	5 Years $TC \leq 75^{\circ}C$ 3 Years $75^{\circ}C \leq TC \leq 90^{\circ}C$

Safety & Performance



- One or Two lamps
- Sound Rated Class A
- Auto Restart
- UL/cUL Listed
- Class P Thermally Protected
- No PCBs
- UL Type 1 Outdoor
- Normal Power Factor
- Type HL
- FCC part 18 Class A
- Surge Protected

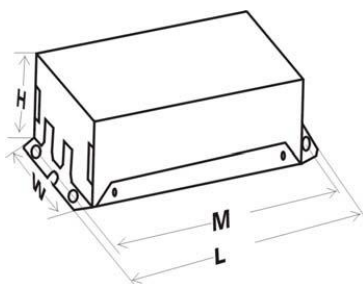
Wire Diagram



Lead Length	Inch	Cm
Black	11.81	30
White	11.81	30
Blue	13.78	35
Red	13.78	35
Yellow	13.78	35

Maximum Wiring Distance (at full load) is 18AWG/18Feet
Case must be grounded

Enclosure



AM39

Enclosure	Inch	Cm
Length(L)	3.9	9.9
Width(W)	2.05	5.2
Height(H)	1.18	3.0
Mounting(M)	3.58	9.1



Electrical Specification with Different Lamps

Lamp Type	No. of Lamps	Input Voltage (V)	Rated Lamp Watts	Start Temp Min. (F/C)	Input Current (Amps)	Input Power (ANSI Watts)	Ballast Factor	Power Factor	Lamp Current Crest Factor Max.	BEF
PL T18W	2	120	18	32/0	0.538	31	0.8	0.5	1.7	2.58
	1				0.45	19				0.8
PL C18W	2	120	18	32/0	0.538	30	0.8	0.4	1.7	2.67
	1				0.45	18				0.8