



Model Name	3C1250S50DSCBL
Output Model	Constant Current
Input Voltage	347 Vac
Input Frequency	50/60 Hz
Dimming	Control Color Temperature and Brightness via DIP switch
Surge Rating	2KV
Warranty	5 Years $TC \leq 75^{\circ}C$ 3 Years $75^{\circ}C \leq TC \leq 90^{\circ}C$

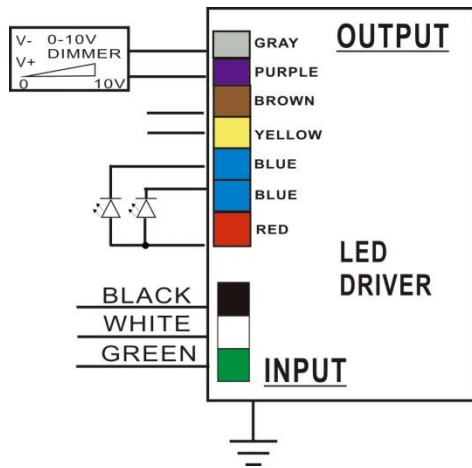
Product Specification



ClassP Class2

Output Power (W)	Output Voltage (V)	Output Current (A)	Start Temp. (°F/°C)	Tcase Temp. (°F/°C)	Input Current (A)	Input Power (W)	Inrush Current (A)	THD (%)	Power Factor	Efficiency (%)
Max. 50	25-42	1.25/1.05/0.9	Min. -40/-40	Max. 194/90	0.17@347V	57	Max. 35	Max. 20	Min. 0.9	Typ. 87

Wire Diagram



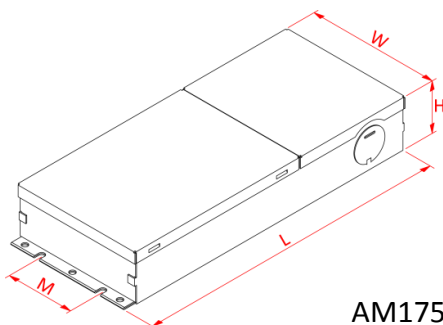
Maximum Wiring Distance (at full load) is 18AWG/18Feet

LED case should be grounded

CCT Control		
Dip Switch Options	S3	Channel 1 100%
	S2	Channel 1&2 50%
	S1	Channel 2 100%

Output Current		
Dip Switch Options	S3	900mA
	S2	1050mA
	S1	1250mA

Enclosure



AM175

Enclosure	Inch	Cm
Length(L)	8.11	20.6
Width(W)	3.4	8.7
Height(H)	1.36	3.45
Mounting(M)	1.77	4.5