



| | |
|------------------------|--|
| Model Name | AC1400D60CBL |
| Output Model | Constant Current |
| Input Voltage | 120-277 Vac |
| Input Frequency | 50/60 Hz |
| Dimming | Control Color Temperature and Brightness via 2 Dimmers |
| Surge Rating | 2KV |
| Warranty | 5 Years TC \leq 75°C 3 Years 75°C \leq TC \leq 90°C |

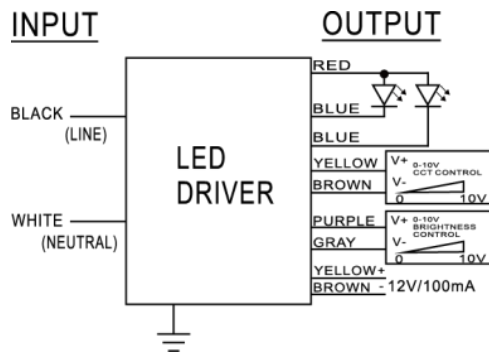
Product Specification



ClassP Class2

| Output Power (W) | Output Voltage (V) | Output Current (A) | Start Temp. (°F/°C) | Tcase Temp. (°F/°C) | Input Current (A) | Input Power (W) | Inrush Current (A) | THD (%) | Power Factor | Efficiency (%) |
|------------------|--------------------|--------------------|---------------------|---------------------|------------------------|-----------------|--------------------|---------|--------------|----------------|
| Max. 60 | 26-43 | 1.4 | Min. -40/-40 | Max. 194/90 | 0.60@120V 0.26@277V | 71 | Max. 30 | Max. 20 | Min. 0.9 | Typ. 85 |

Wire Diagram

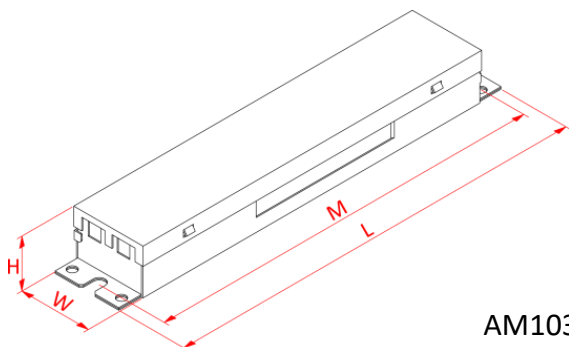


Maximum Wiring Distance (at full load) is 18AWG/18Feet

LED case should be grounded

| Lead Length | Inch | Cm |
|-------------|------|----|
| Black | 5.9 | 15 |
| White | 5.9 | 15 |
| Green | NA | NA |
| Red | 5.9 | 15 |
| Blue | 5.9 | 15 |
| Purple | 7.1 | 18 |
| Gray | 7.1 | 18 |
| Yellow | 7.1 | 18 |
| Brown | 7.1 | 18 |

Enclosure



AM103

| Enclosure | Inch | Cm |
|-------------|------|------|
| Length(L) | 9.5 | 24.1 |
| Width(W) | 1.7 | 4.3 |
| Height(H) | 1.2 | 3.05 |
| Mounting(M) | 8.9 | 22.6 |