



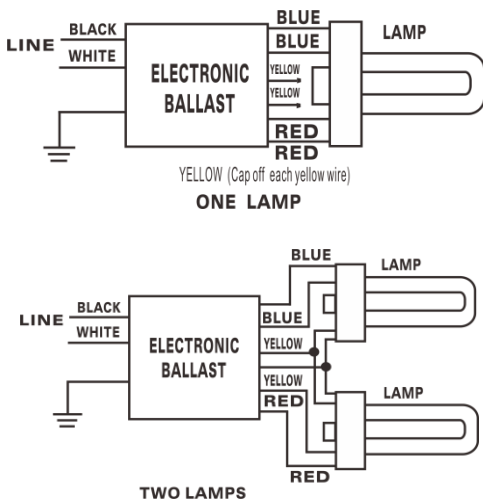
<b>Model Name</b>	TSD-UV40PBXMS
<b>Ballast Type</b>	Electronic
<b>Starting Method</b>	Program Start
<b>Lamp connection</b>	Series
<b>Input Voltage</b>	120-277V
<b>Input Frequency</b>	50/60Hz
<b>Warranty</b>	5 Years $TC \leq 75^{\circ}C$ 3 Years $75^{\circ}C \leq TC \leq 90^{\circ}C$

## Safety & Performance



- One or Two lamps
- UL/cUL Listed
- UL Type 1 Outdoor
- FCC part 18 Class A
- Sound Rated Class A
- Class P Thermally Protected
- High Power Factor
- Surge Protected
- Auto Restart
- No PCBs
- Type HL

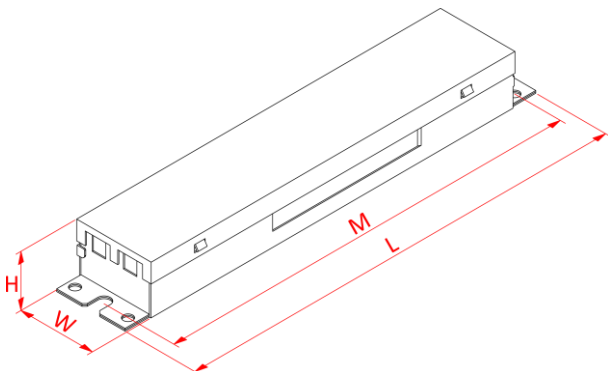
## Wire Diagram



	Inch	Cm
Black	18.8	48
White	18.8	48
Blue	30.9	78.5
Red	30.9	78.5
Yellow	46.4	118

Maximum Wiring Distance (at full load) is 18AWG/18Feet  
Case must be grounded

## Enclosure



AM103

Enclosure	Inch	Cm
Length(L)	9.5	24.1
Width(W)	1.7	4.3
Height(H)	1.2	3.05
Mounting(M)	8.9	22.6



## Electrical Specification with Different Lamps

Lamp Type	No. of Lamps	Input Voltage (V)	Rated Lamp Watts	Start Temp Min. (F/C)	Input Current (Amps)	Input Power (ANSI Watts)	Ballast Factor	THD Max. (%)	Power Factor	Lamp Current Crest Factor Max.	BEF		
FT40W	2	120	40	-22/-30	0.67	95	0.88	10	0.99	1.7	1.25		
		230			0.36			10	0.98				
		277			0.29			10	0.98				
	1	120			0.38	46	1.03	10	0.99		15	0.98	2.24
		230			0.20			15	0.98				
		277			0.174			15	0.97				
FT39W	2	120	39	-22/-30	0.57	68	0.63	10	0.99	1.7	0.93		
		230			0.30			15	0.98				
		277			0.25			15	0.98				
	1	120			0.30	36	0.65	10	0.99		15	0.97	1.81
		230			0.16			15	0.97				
		277			0.13			20	0.97				
FT36W	2	120	36	-22/-30	0.53	64	0.80	10	0.99	1.7	1.25		
		230			0.28			15	0.98				
		277			0.23			15	0.98				
	1	120			0.28	34	0.85	10	0.99		15	0.97	2.50
		230			0.15			15	0.97				
		277			0.13			20	0.96				
FT40W/ ES(28W)	2	120	28	-22/-30	0.63	75	1	10	0.99	1.7	1.33		
		230			0.33			15	0.98				
		277			0.28			15	0.98				
	1	120			0.35	42	1.03	10	0.99		15	0.98	2.45
		230			0.19			15	0.98				
		277			0.16			15	0.97				
FT40W/ ES(25W)	2	120	25	-22/-30	0.59	70	1	10	0.99	1.7	1.43		
		230			0.31			15	0.98				
		277			0.26			15	0.98				
	1	120			0.33	39	1.03	10	0.99		15	0.97	2.64
		230			0.17			15	0.97				
		277			0.15			20	0.96				