



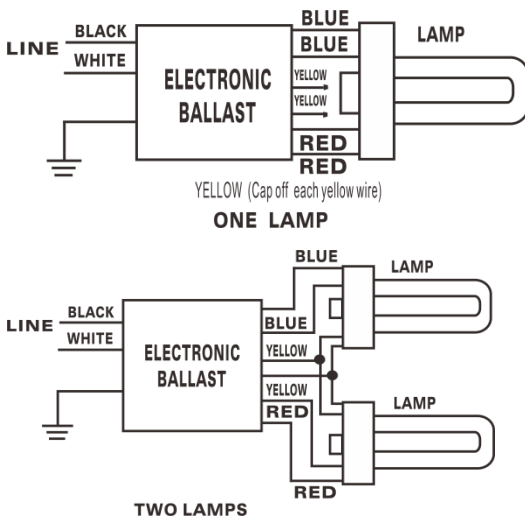
<b>Model Name</b>	TSD-340PBXMS
<b>Ballast Type</b>	Electronic
<b>Starting Method</b>	Program Start
<b>Lamp connection</b>	Series
<b>Input Voltage</b>	347V
<b>Input Frequency</b>	60Hz
<b>Warranty</b>	5 Years $TC \leq 75^{\circ}C$ 3 Years $75^{\circ}C \leq TC \leq 90^{\circ}C$

## Safety & Performance



- One or Two lamps
- UL/cUL Listed
- UL Type 1 Outdoor
- FCC part 18 Class A
- Sound Rated Class A
- Class P Thermally Protected
- High Power Factor
- Surge Protected
- Auto Restart
- No PCBs
- Type HL

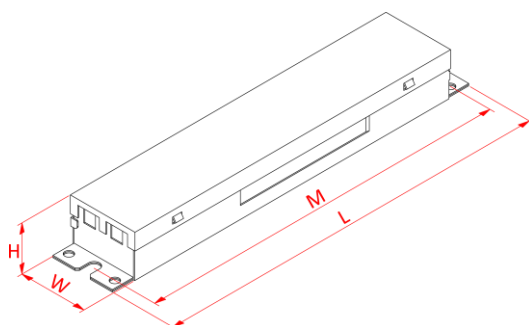
## Wire Diagram



	Inch	Cm
Black	18.8	48
White	18.8	48
Blue	30.9	78.5
Red	30.9	78.5
Yellow	46.4	118

Maximum Wiring Distance (at full load) is 18AWG/18Feet  
Case must be grounded

## Enclosure



AM103

Enclosure	Inch	Cm
Length(L)	9.5	24.1
Width(W)	1.7	4.3
Height(H)	1.2	3.05
Mounting(M)	8.9	22.6



**Electrical Specification with Different Lamps**

Lamp Type	No. of Lamps	Input Voltage (V)	Rated Lamp Watts	Start Temp Min. (F/C)	Input Current (Amps)	Input Power (ANSI Watts)	Ballast Factor	THD Max. (%)	Power Factor	Lamp Current Crest Factor Max.	BEF
FT40W	2	347	40	-22/-30	0.25	81	1.00	10	0.98	1.7	1.23
	1				0.14	47	1.03	15	0.97		2.19
FT39W	2	347	39	-22/-30	0.20	68	0.63	15	0.98	1.7	0.93
	1				0.11	36	0.65	20	0.97		1.81
FT36W	2	347	36	-22/-30	0.19	64	0.80	15	0.98	1.7	1.25
	1				0.10	35	0.85	20	0.96		2.43
FT40/ES (28W)	2	347	28	-22/-30	0.22	76	1.00	15	0.98	1.7	1.32
	1				0.12	42	1.03	15	0.97		2.45
FT40/ES (25W)	2	347	25	-22/-30	0.21	71	1.00	15	0.98	1.7	1.41
	1				0.11	39	1.03	20	0.96		2.64