



Antron Electronics Co.,LTD  
安雄電子股份有限公司

# Emergency Lighting Automatic Load Control Relay

<b>Model Name</b>	ALCR-G3
<b>Input Voltage</b>	120-277 Vac
<b>Input Frequency</b>	50/60 Hz
<b>Dimming</b>	0-10v
<b>Surge Rating</b>	3KV
<b>Relay Contact Ratings(SPST)</b>	3A @120Vac 3A @277Vac
<b>Warranty</b>	5 Years TC $\leq 60^{\circ}\text{C}$ 3 Years TC $\leq 66^{\circ}\text{C}$

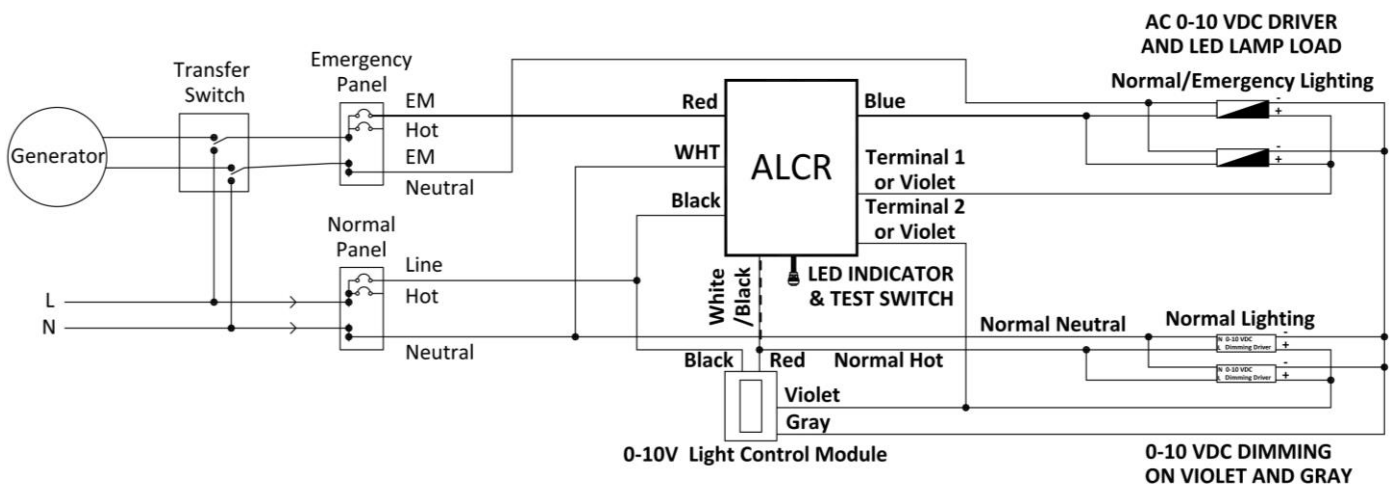
## Product Specification



(UL pending)

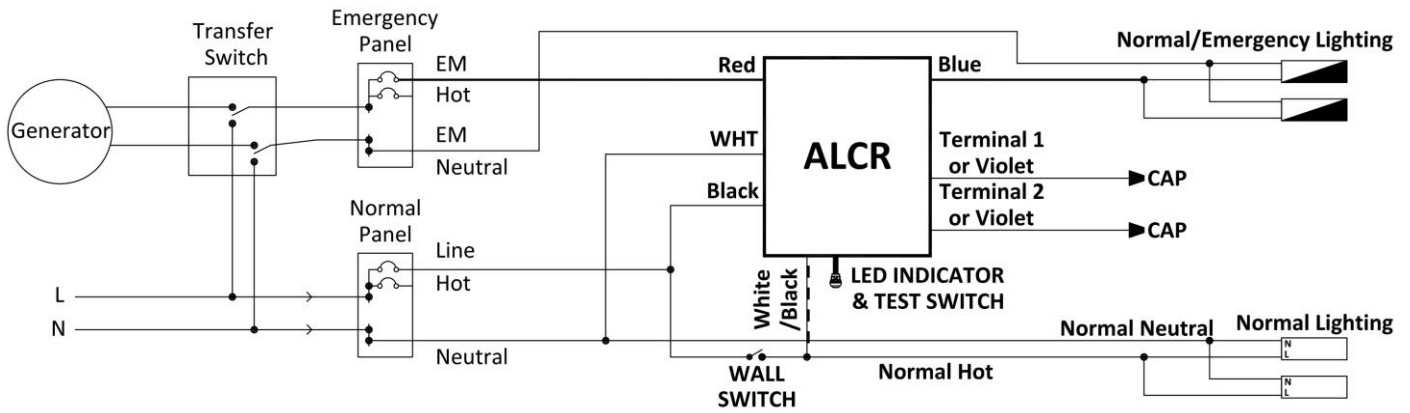
Relay Contact Ratings (SPST) (A) @120V	Relay Contact Ratings (SPST) (A) @277V	Emergency Power Supply Usage (mA)	Dimmer Contact Switching @250V (mA)	Input Power (W)	Input Current (mA)	Operation Temperature ( $^{\circ}\text{C}$ )
3	3	120	130	Max. 3	Max. 24	-20-65

## Wire Diagram



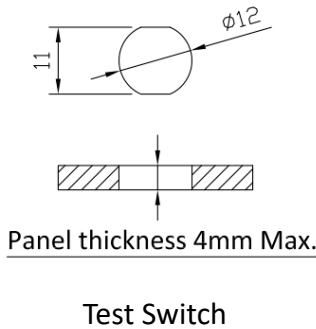
(A) With 0-10V Dimmer

Revised 2021/05/11



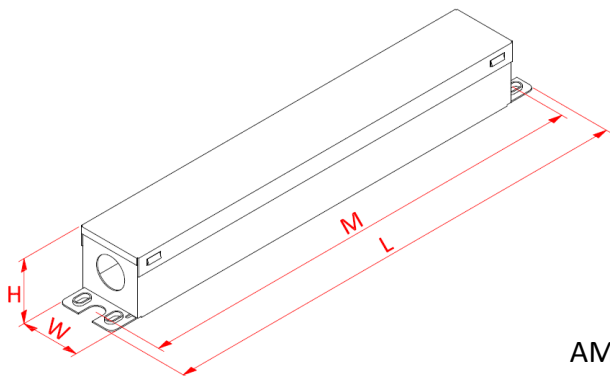
(B) Without Dimmer

Maximum Wiring Distance (at full load) is 18AWG/18Feet



Lead Length	Inch	Cm
Black	5.9	15
White	5.9	15
Red	5.9	15
Blue	5.9	15
Violet (Terminal 1)	7.08	18
Violet (Terminal 2)	7.08	18
Test Switch LED INDICATOR	24/6	61/15.24

## Enclosure



AM214

Enclosure	Inch	Cm
Length(L)	8	20.3
Width(W)	1.18	3.0
Height(H)	1.15	2.92
Mounting(M)	7.6	19.3

Revised 2021/05/11