



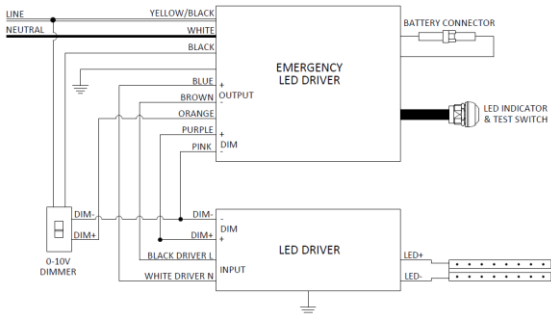
<b>Model Name</b>	FEMMP20-180
<b>Output Mode</b>	Constant Power
<b>Input Voltage</b>	120-347 Vac
<b>Input Frequency</b>	50/60 Hz
<b>Surge Rating</b>	3KV
<b>Warranty</b>	5 Years TC ≤ 60°C 3 Years TC ≤ 70°C

## Product Specification

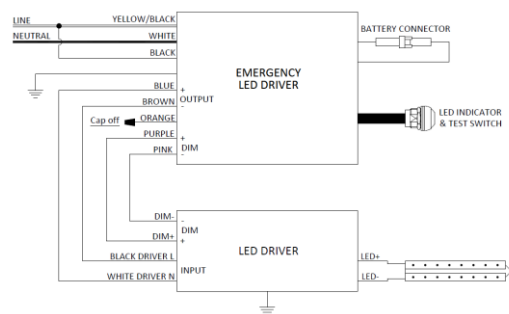


Output Voltage (V)	Output Current (mA)	Light Engine Power (W)	Operating Duration Time	Operating Temp. (°C)	Battery Voltage (V)	Battery Charge Current (mA)	Battery Recharge Time	Input Power (W)	Input Current (mA)
120-180	120	20	Min. 90min	0-50	12.8	200	Max. 24Hrs	Max. 9	Max. 140

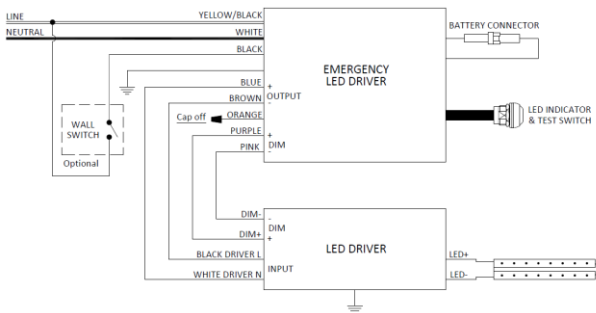
## Wire Diagram



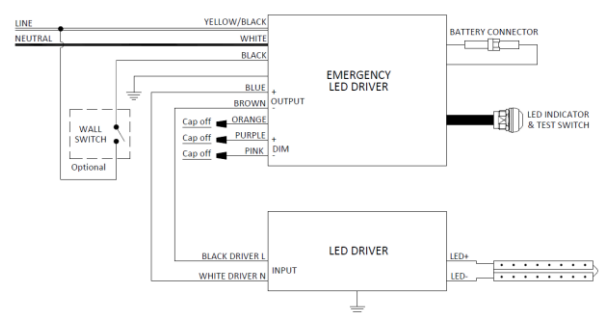
With dimmable LED driver  
( W/ dimmer, W/O wall switch )



With dimmable LED driver  
( W/O dimmer, W/O wall switch )



With dimmable LED driver  
( W/O dimmer, W/ wall switch )



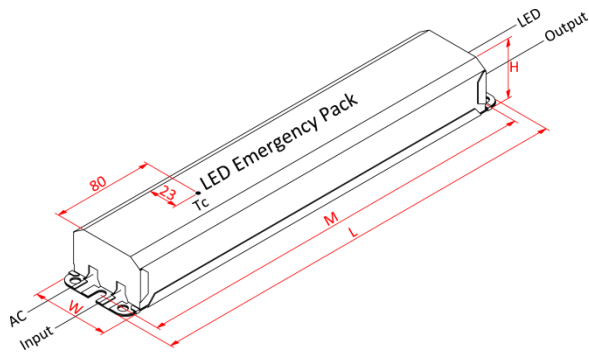
With Non-dimmable LED driver  
( W/O wall switch )



Lead Length	Inch	Cm
Black	6	15.2
White	6	15.2
Yellow/Black	6	15.2
Blue	6	15.2
Brown	6	15.2
Orange	6	15.2
Purple	6	15.2
Pink	6	15.2
Battery Connector	33.07	84
Test Switch	25	63.5
LED Indicator	6	15.24

Maximum Wiring Distance (at full load) is 18AWG/18Feet

## Enclosure










AM60



Enclosure	Inch	Cm
Length(L)	13.3	33.8
Width(W)	2.44	6.2
Height(H)	1.49	3.8
Mounting(M)	12.68	32.2



Input Wiring		
Standard	Isolated Pass Relay	Others
<input type="checkbox"/>	<input type="checkbox"/>	
Power Activate		
Yes <input type="checkbox"/>	No <input type="checkbox"/>	

Output Lead Type			
Standard	Single Conduit	Dual Conduits	Others
<input type="checkbox"/>	<input type="checkbox"/>	<input type="checkbox"/>	

Test Switch				
Type	Black & Red	White & Red	White & Translucent	Metal
Image	 <small>IP 67</small>	 <small>IP 67</small>	 <small>IP 67</small>	 <small>IP 67</small>
	<input type="checkbox"/> Red Light	<input type="checkbox"/> Red Light	<input type="checkbox"/> Red Light	<input type="checkbox"/> Red Light
Type	PVC Wire	Fire-Resistant Wire	R-Mount	Customization
Image				
	<input type="checkbox"/>	<input type="checkbox"/>	<input type="checkbox"/>	<input type="checkbox"/>

Panel				
Type	White	Metal	No Need	Others
Image				
	<input type="checkbox"/>	<input type="checkbox"/>	<input type="checkbox"/>	



## Input Specifications

Parameter	Min.	Typ.	Max.	Notes
Input Voltage	108V	120/347V	381V	
Input Current	-	-	140mA	@120Vac input with full load
Input Frequency	47Hz	60Hz	63Hz	
Leakage Current	-	-	0.7mA	@347Vac input
Turn On Time	-	-	1.0s	@120Vac input at full load
Hold Up Time	-	-	0.1s	@Nominal input and full load
Efficiency	%	%	%	@170Vdc output at full load
Standby Power	-	-	9W	

## Output Specifications

Parameter	Min.	Typ.	Max.	Notes
Output Voltage	120VDC	170VDC	180VDC	@Full Load
Output Current		120mA		@Full Load
Battery Charge Current	20mA	200mA	220mA	LiFePO4, 12.8V, 3600mAh
Battery Voltage	-	12.8V	-	
Battery Charge Time	-	-	24Hrs	
Emergency Operation	90min	-	-	
No-Load Output Voltage	-	-	180VDC	@120-347Vac input
Transfer time	-	-	2.0s	
Output Power	-	20W	-	Constant power output on emergency mode

## General Specifications

Parameter	Min.	Typ.	Max.	Notes
MTBF	-	100,000 Hours	-	@25°C ambient temperature
Lifespan Time	75,000 Hours	-	-	In the range of specification required by normal use of the power supply at ambient temperature 55°C
Cold Start	-	-	2.0s	@0°C



## Test Switch

### Test Switch Operation

With AC power source alive

1. Push and Hold, the unit will transfer from charge mode to discharge mode, the indicator is OFF.
2. Release the test switch, the unit will back to charge mode automatically, the indicator is ON.

## Protection

Parameter	Description
Over Load	Latch
Short Circuit	Latch

## Environmental Specifications

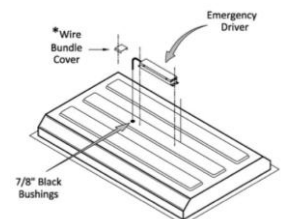
Parameter	Min.	Typ.	Max.	Notes
Operation Temperature	0°C	-	50°C	
Storage Temperature	-20°C	-	55°C	
Humidity	10%	-	90%	
T-Case Temperature	-	-	70°C	

## Safety and EMC Compliance

Safety Standards	Withstand Voltage	Isolation Resistance	EMC Standards	
			EMI	EMS
UL 924 CSA C22.2 NO.141-15	I/P-O/P: 2.0K Vac I/P-FG: 2.0K Vac O/P-FG: 0.5K Vac	I/P-O/P: I/P-FG: O/P-FG: 100Mohm/500VDC	FCC Part 15 class A	FCC Part 15 class A

## Note

- The product is able to working with AC driver @5A maximum current.
- The emergency backup driver shall be installed inside an electrical enclosure. If the application requires the emergency pack to be mounted on top of the luminaire please use Model which provides a metal flexible conduit instead of bare wires.
- Please note that the input voltage of LED driver must be 120-347VAC.





## Revision History

Change date	Description of Change		
	Item	From	To
2023/12/14	Note	/	Add note 3 to page 4
2023/12/15	Note	/	Revised note 3 in page 4
2024/01/04	Lead Length	/	Add orange wire
2024/04/16	Wire Diagram	/	Remove green wire
2025/12/04	Model Name	MEMLEDS20-170-14.4-FCP 12.8	FEMMP20-180